

EA-P3-2 High Frequency RFID Access Controller

Standalone access controller

Features

- Non-contact proximity based access control
- Reads MIFARE® compatible 13.56 MHz RFID credentials
- Integrated LED status indicator
- Compact, low profile design
- Simple, 3 hole installation
- Relay output (Form C)
- Enables management of 64 users
- Adjustable door release time

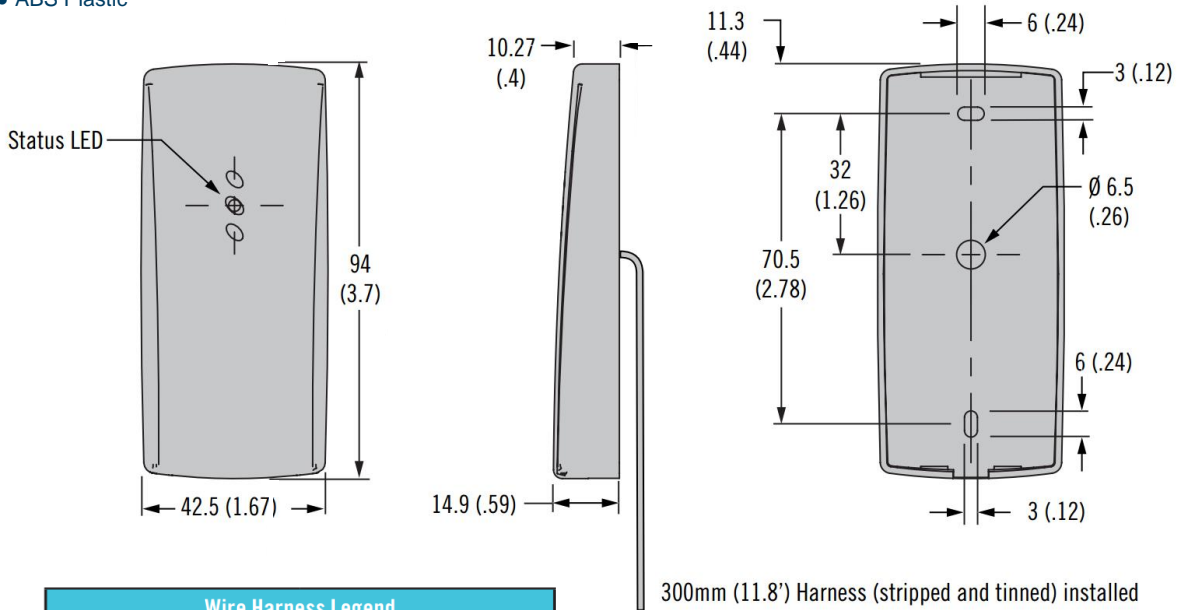
Electrical Specifications

- Supply voltage: 12VDC +/- 10%
- Operating current: 160 mA maximum (no attached devices)
- Operating temperature: -15 to 55°C
- Operating humidity: 20 - 90% RH, no condensation
- Transmit frequency: 13/56 MHz
- Read range: Up to 5 cm



Material

- ABS Plastic



| Wire Harness Legend | |
|---------------------|----------------------|
| Wire Color | Function |
| Red | VCC (12VDC) |
| Black | GND |
| Brown | Relay N.O |
| Orange | Relay COM |
| Yellow | Relay N.C. |
| Green | Unused |
| Blue | Auxiliary Input |
| Light Green | LED GND |
| Pink | LED Control (+12VDC) |
| Purple | Tamper Switch N.C. |
| Gray | Tamper Switch N.O. |
| White | Tamper Switch COM |

| Part Number Selection* | |
|------------------------|--|
| EA-P3-200-1 | High Frequency RFID Controller w/ Logo |
| EA-C3-101 | MIFARE® RFID Credential; Slotted, w/o Logo |

Contact Gripwell Sales for custom colour and logo options

Panel Preparation

